

400 Series Connect2® Medical Gas Outlets

Elements

- Accepts both Chemetron® and Ohmeda® adapters in the same outlet
- Conforms to NFPA 99 and CGA standards.
- Safety keyed to help prevent cross-connections
- Rough-in channel box protected by metal plaster guard until final assembly
- Adjustable valve mechanism to compensate for variations in plaster thicknesses up to 3/4"
- Cleaned for oxygen service
- UL listed and CSA approved



Description

The Allied Connect2® medical gas outlet stations provide convenient access to medical gases in patient care locations. They accept either a Chemetron or Ohmeda adapter in the same outlet.

Finish plates are color-coded plastic with stainless steel inserts. Outlet finish plates and rough-in plates are safety keyed for positive cross-connection prevention. Primary valves are separate from the finish plate, allowing easy testing for leaks and cross connection. Primary valves are made of brass and contain a self-sealing poppet. Primary valves are field adjustable to compensate for variations in plaster thickness of 1/2" to 3/4". Outlets may be special ordered with extended valve bodies that allow for an additional 3/8" or 3/4" adjustment.

The type K copper inlet tube has a 1/2" OD connection. The primary gas check can be serviced without shutting off the gas supply.

The outlet stations are fully compliant with NFPA 99 and CSA Z-305, and are cleaned for oxygen service in accordance with CGA G-4.1. The outlet is UL listed.

Release is easily accomplished with one hand using a push-button release (or twist release for Ohmeda style adapters). The primary valve poppet provides a dust-proof seal. Vacuum outlets may be used with or without slide brackets for vacuum collection bottles of up to 1/2-gallon capacity. (Where slide brackets are used, order one per vacuum outlet.)

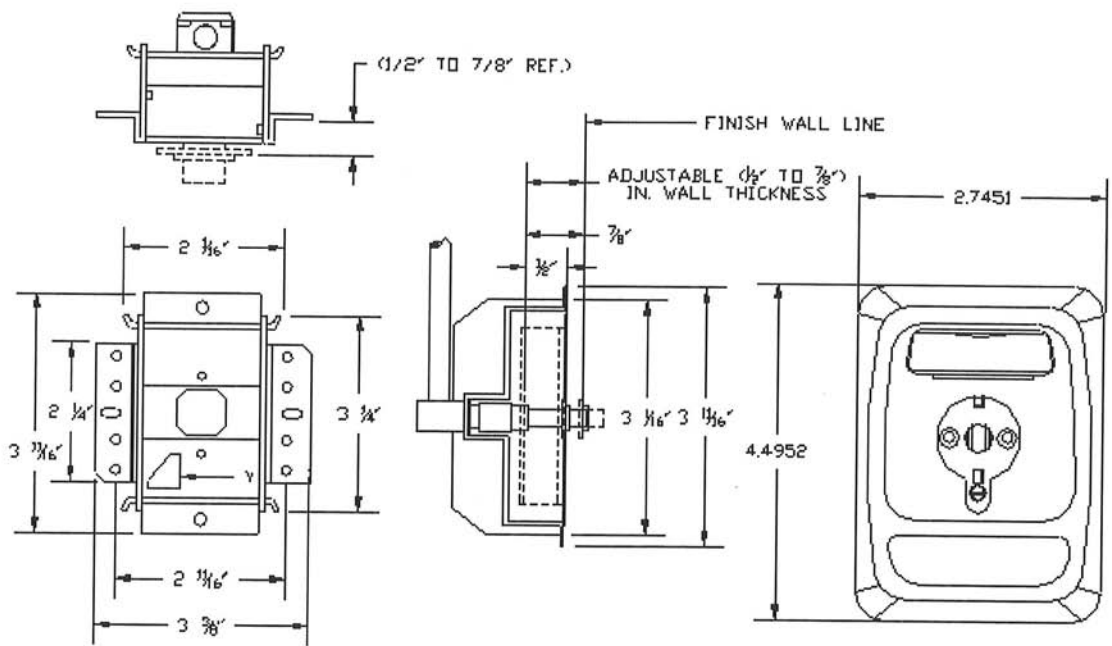
Materials

Component	Material
Valve Body	Machined Brass Viton Seal
Valve Block	Brass Forging/Machined Brass Type K or L Seamless Copper Tube Viton Seal
Outlet Box	20 Gauge Steel
Cover Plate	Plastic Color-Coded Fascia Brushed Stainless Steel Inserts Buffed Edge Plastic Color-Coded Release Button

Ordering Information

Gas Service	Catalog Number Wide Faceplate (2.75")	Quantity	Catalog Number Narrow Faceplate (2.25")	Quantity
Oxygen	64-02-4001		64-02-4011	
Vacuum	64-02-4002		64-02-4012	
Air	64-02-4004		64-02-4014	
Nitrous Oxide	64-02-4003		64-02-4013	
Evacuation Vacuum	64-02-4008		64-02-4018	
Carbon Dioxide	64-02-4005		64-02-4015	
Slide Bracket	64-59-1212		64-59-1212	

Dimensional Data



Refer to installation instructions prior to assembly.



400 Series Connect2 Medical Gas Outlets

All specifications are nominal and subject to change without notice.

Warranty:
See Allied Statement of Warranties for details.

© 2006 Allied Healthcare Products, Inc.® Printed in USA

Customer Service:

USA: (800) 444-3960
FAX: (314) 771-7537
Canada/Mexico: (800) 446-0552
FAX: (800) 246-6201
International: (314) 268-1683
FAX: (314) 771-5183



1720 Sublette Avenue
St. Louis, MO 63110 USA
(314)771-2400
www.alliedhpi.com
ISO 9001 CERTIFIED

Product Specification