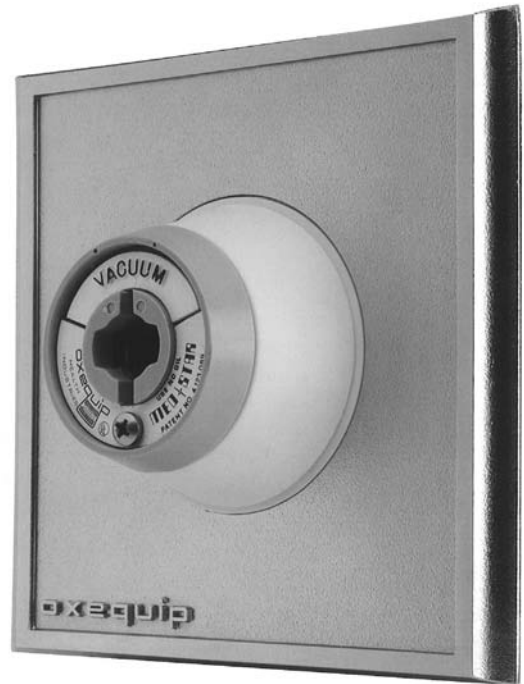


## Oxequip® Med\*Star® Quick-Connect Medical Gas Outlets

### Elements

- Safety keyed to prevent cross-connections
- Conforms to NFPA 99 and CSA standards
- Accepts Med\*Star and '07 Series Adapters
- Modular design
- Cleaned for oxygen service
- UL Listed



### Description

The Oxequip® Med\*Star® Series outlet stations provide convenient access to medical gases in patient care locations. They are fully compatible with Med\*Star and '07 Series adapters.

The outlets can be grouped together in any order desired by the facility. Outlets are spaced 5" (12.7 cm) center to center. Outlet finish plates and rough-in plates are pin indexed using steel pins for positive cross-connection prevention. Valve bodies are separate from the finish plate, allowing easy testing for leaks and cross connection, and contain a self-sealing poppet. Valve bodies are field adjustable to compensate for variations in plaster thickness of 12.7 mm (1/2") to 19 mm (3/4").

The 152.5 mm (6") Type K copper inlet tube has a 9.5 mm (3/8") ID (12.7 mm (1/2") OD) connection, and can rotate 360 degrees to accommodate any field piping arrangement. The primary gas check can be serviced without shutting off the gas supply.

The cam plate contains a positive latching mechanism to retain the adapter in the outlet. The adapter is removed by operating the release mechanism which is integral to the Med\*Star adapter ('07 Series adapters use the twist mechanism).

All components (cam plate, tumbler, valve body, poppet, faceplate) are individually field replaceable.



***Oxequip Med\*Star Quick-Connect Medical Gas Outlets***

The outlet stations are fully compliant with NFPA 99 (2002) and CSA Z-305, and are cleaned for oxygen service in accordance with CGA G-4.1. The outlet is UL listed. Rough-in plates for the outlets are zinc plated steel for corrosion resistance and fire safety. Finish plates are die-cast zinc, chrome-plated with brushed stainless inserts for appearance. Gas identification is provided by a polycarbonate plastic insert, color-coded by gas service.

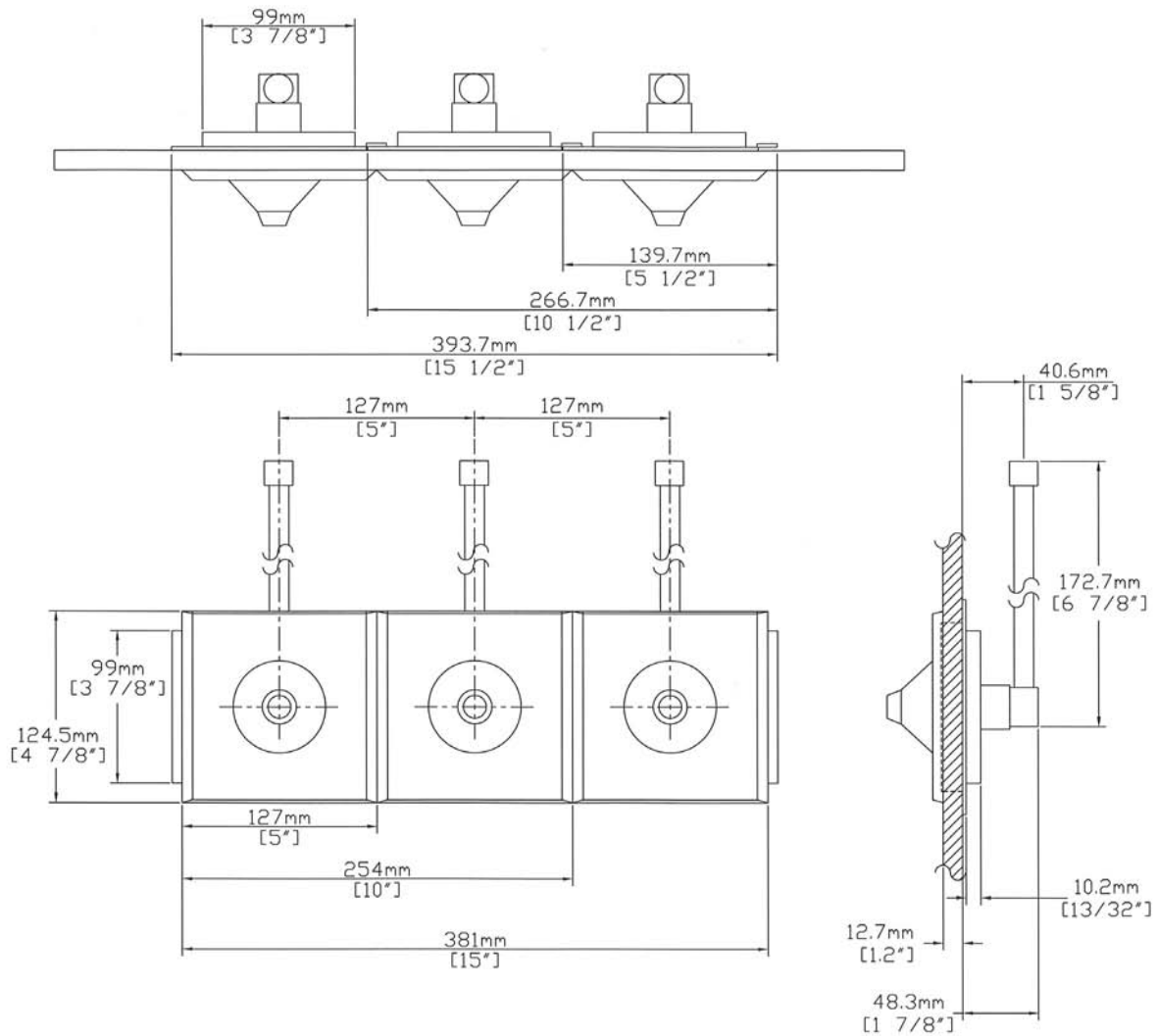
The cam plate/tumbler assembly is color-coded and labeled for the gas service. Release is easily accomplished with one hand using the adapter release mechanism. The primary valve poppet provides a dust proof seal. Vacuum outlets may be used with or without slide brackets for vacuum collection bottles of up to 2 liters (1/2 gallon) capacity (where slides are used, provide one per vacuum outlet).

**Ordering Information**

<b>Gas Service</b>	<b>Catalog Number U.S. Color Codes</b>	<b>Quantity</b>	<b>Catalog Number ISO Color Codes</b>	<b>Quantity</b>
Oxygen	1930-2111		1930-2121	
Vacuum	1930-2211		1930-2221	
Air	1930-2411		1930-2421	
Nitrous Oxide	1930-2311		1930-2321	
WAGD	1930-2811		1930-2821	
Carbon Dioxide	1930-2511		1930-2521	
Slide Bracket	1857-A		1857-A	

***Product Specification***

Dimensional Data



Refer to installation instructions prior to assembly.



*Oxequip Med\*Star Quick-Connect Medical Gas Outlets*

All specifications are nominal and subject to change without notice.

**Warranty**  
See Allied Statement of Warranties for details.

© 2005 Allied Healthcare Product, Inc.® Printed USA

*Customer Service:*  
USA: (800) 444-3960  
FAX: (314)771-7537  
Canada/ Mexico: (800) 446-0552  
FAX: (800) 246-6201  
International: (314) 268-1683  
FAX: (314) 771-5183

**Allied**  
**HEALTHCARE PRODUCTS INC.**  
1720 Sublette Avenue  
St. Louis, MO 63110 USA  
(314) 771-2400  
[www.alliedhpi.com](http://www.alliedhpi.com)  
**ISO 9001 CERTIFIED**

*Product Specification*