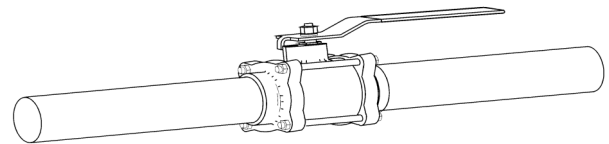


1/2" to 4" Single Gauge Port Ball Valves

Elements

- For control of most common medical gases, including nitrogen and vacuum
- Includes copper extensions and gauge port
- Full port flow-through design reduces gas flow restrictions
- Complies with Federal Standard WW-V35B Type II Class A, Style 1
- Cleaned for oxygen service
- Durable seals for longer, trouble-free life
- Blow-out proof stem



Description

All ball valves are factory cleaned for oxygen service and conform to NFPA 99 standards. Each 1/2" to 4" valve consists of Teflon seats and adjustable stem packing gland with a Teflon stem seal.

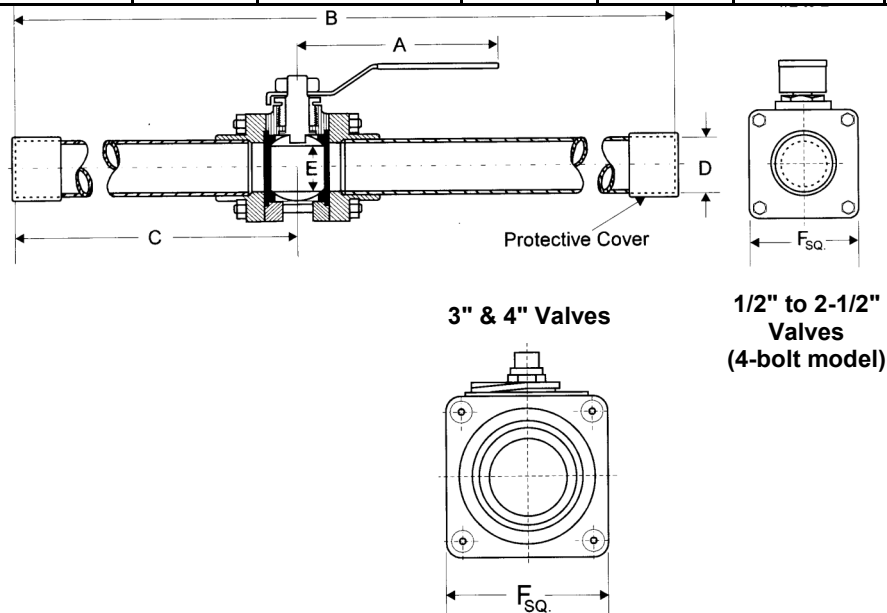
1/2" to 2-1/2" valves are rated at 600 psig. 3" and 4" valves are rated at 400 psig. All valves are rated for full vacuum (29.9" Hg). Valves go from full ON to full OFF by turning the vinyl-gripped valve handle 90°. Locking-type handles may be ordered separately when required. Copper tubing is factory installed to help prevent valve seat damage during soldering. Main and riser valves are not required to be installed in a box unless specifically noted or required.

Materials

- Body - Bronze
- End plates - Bronze
- Ball for 1/2" to 2-1/2" ball valve - Chrome-plated brass
- Ball for 3" to 4" ball valve - Grade 316 stainless steel
- Stem for 1/2" to 2-1/2" ball valve - Brass
- Stem for 3" to 4" ball valve - Grade 316 stainless steel
- Handle for up to 2-1/2" ball valve - Plated steel with vinyl grip
- Seats/Packing/Stem Seal for ball valve up to 4" - Reinforced Teflon
- Tube extension - Type K copper

Dimensional Information

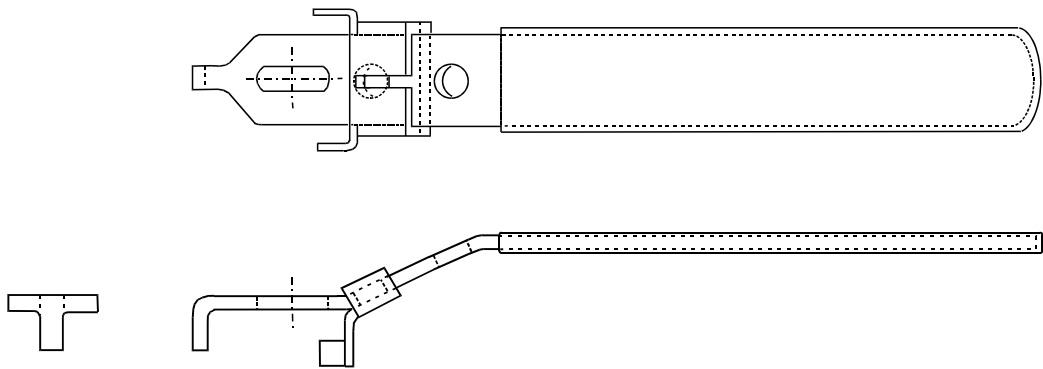
Catalog Number	Quantity	Size Inches (mm)	A Inches (mm)	B Inches (mm)	C Inches (mm)	D Inches (mm)	E Inches (mm)	F Inches (mm)
77-03-0002		.50 (12.7)	4.78 (121.4)	19.00 (482.6)	6.75 (171.4)	5/8 OD (15.7)	0.62 (15.7)	1.84 (46.7)
77-03-0003		.75 (19.0)	4.78 (121.4)	19.00 (482.6)	6.75 (171.4)	7/8 OD (22.0)	0.81 (20.5)	1.98 (50.2)
77-03-0004		1.00 (25.4)	5.43 (137.9)	19.00 (482.6)	6.75 (171.4)	1-1/8 OD (28.4)	1.00 (25.4)	2.22 (56.3)
77-03-0005		1.25 (31.7)	5.43 (137.9)	19.00 (482.6)	6.75 (171.4)	1-3/8 OD (34.7)	1.25 (31.7)	2.69 (63.3)
77-03-0006		1.50 (38.1)	7.78 (197.6)	19.00 (482.6)	6.69 (169.9)	1-5/8 OD (41.1)	1.50 (38.1)	3.03 (76.9)
77-03-0008		2.00 (50.8)	7.78 (197.6)	19.00 (482.6)	7.06 (179.3)	2-1/8 OD (53.8)	2.00 (50.8)	3.82 (97.0)
77-01-0012		2.50 (63.5)	9.94 (252.4)	23.50 (596.9)	8.50 (215.9)	2-5/8 OD (66.5)	2.50 (63.5)	5.05 (28.2)
77-01-0013		3.00 (76.2)	18" Adjustable Handle	23.87 (606.2)	8.44 (214.3)	3-1/8 OD (79.2)	3.00 (76.2)	5.82 (147.3)
77-01-0014		4.00 (101.6)	18" Adjustable Handle	24.62 (625.3)	12.68 (322.0)	4-1/8 OD (104.6)	4.00 (101.6)	7.77 (197.3)



Lockable Handles

All ball valves can be delivered fitted with a lockable handle, as required for in-line installation by NFPA 99.

Optional Lockable Handle for 1/2" to 2-1/2" Ball Valve



Catalog Number	Quantity	Ball Valve Size
77-03-9206		1/2" and 3/4"
77-03-9207		1" and 1-1/4"
77-03-9208		1-1/2" and 2"
77-03-9212		2-1/2"
77-03-9236		3"
77-03-9214		4"



1/2" to 4" Single Gauge Port Ball Valves

All specifications are nominal and subject to change without notice.

Warranty:
See Allied Statement of Warranties for details.

Customer Service:

USA: (800) 444-3960
FAX: (314) 771-7537
Canada/Mexico: (800) 446-0552
FAX: (800) 246-6201
International: (314) 268-1683
FAX: (314) 771-5183



1720 Sublette Avenue
St. Louis, MO 63110 USA
(314) 771-2400
www.alliedhpi.com
ISO 13485: 2003

© 2010 Allied Healthcare Products, Inc.® Printed in USA

Product Specification

Form 77-00-0012 May 2010