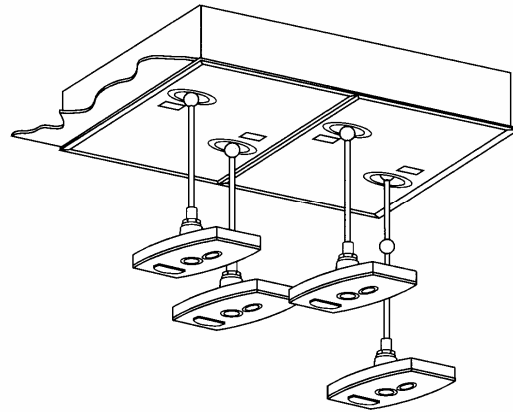


ELECTRICAL & HOSE REELS

Elements

- 12 foot capacity hose reel hub
- Available for oxygen, nitrous oxide, air, vacuum, WAGD, nitrogen, and electrical receptacles
- Positive-stop mechanism allows easy pull to desired length where the hose automatically locks
- Hoses are color coded per NFPA 99 for instant recognition
- Available with choice of couplers



Description

Electrical and hose reels are designed to allow the operating room staff freedom in the positioning of equipment in the room without using valuable floor space, creating a hazard, or having excess hoses and wires in the work area.

Hose reels shall be capable of retracting 12' lengths of conductive color-coded medical gas hose. Hose for pressure gases shall be 1/4" ID. Hose for vacuum and WAGD shall be 5/16" ID for increased flow capacity. Hoses shall terminate with a female coupler.

Important note: Hoses for vacuum may not flow 3 SCFM at this length. Hoses for nitrogen of this length may be inappropriate for some high volume or high pressure tools.

Reel assemblies shall be recessed above the finished ceiling and shall have stainless steel faceplates with No. 4 satin finish. Openings shall be equipped with Teflon grommets to reduce hose wear.

Reels shall be available in single, double, triple or quadruple arrangements with a common

rough-in (multiple rough-ins may be used together). Triple and quadruple reels shall have two separate finish covers for ease of service.

Hose reels shall be furnished with ceiling outlet, reel with color-coded conductive hose, terminal coupler of the user's choice, and finish assembly.

Electrical reels shall be furnished with ceiling outlet, reels with wire, terminal receptacle (hospital grade twist-lock or straight blade) and finish assembly. Maximum current rating of the electric reel is 9 amps.

Working parts of the entire assembly shall be easily accessible for servicing. Each service reel shall receive its gas supply through a complete outlet station, conforming to CGA/DISS thread specifications. Supply connections to the reels shall be equipped with fail-safe swivel joints, leak-proof and friction-less. Each reel for each service shall operate independently of any other reel.

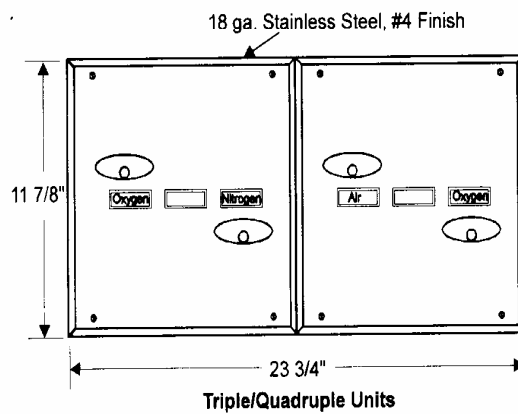
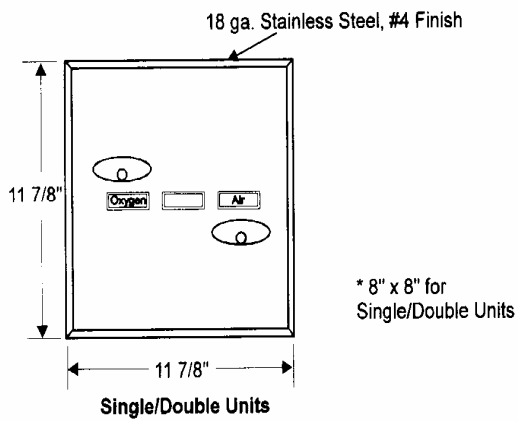
Reels shall be Chemetron 82-31 Series.

Application Limitations

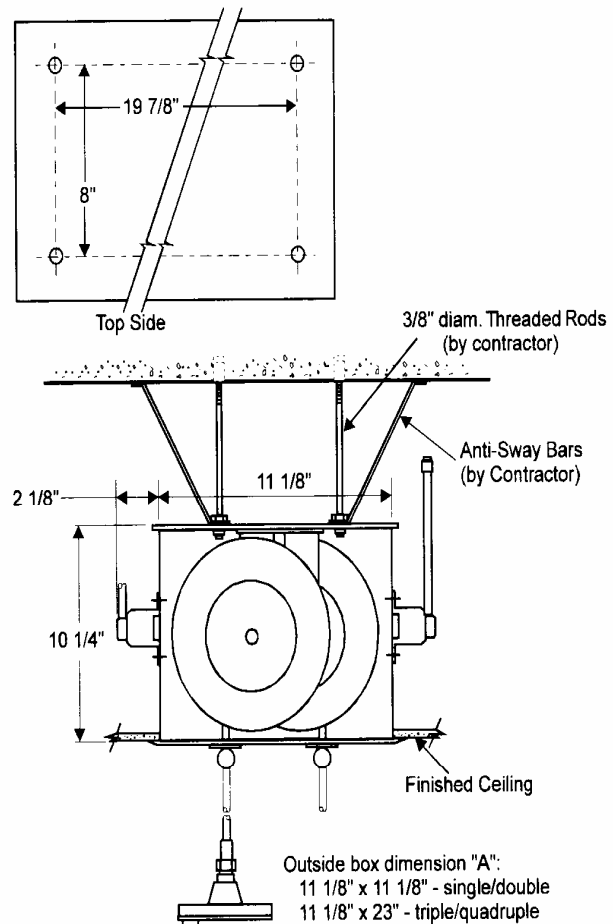
Electrical reels may not be combined with oxygen or nitrous oxide gas reels in the same rough-in. Electrical reels may be mixed with inert gases such as air or nitrogen. Electrical reels may also be combined with vacuum and WAGD.

Do not use electrical reels in areas considered to be explosion hazards under NFPA 99 guidelines. Reels contain long lengths of hose which may reduce flows. Applications requiring high flows should consider an alternate ceiling service such as a ceiling column.

Dimensional Data



CAUTION: We do not permit the combination of anesthetic gases and electrical services in the same box.



Ordering Information

| 1) Select the reel configuration (single, double, triple, etc.): | | |
|---|----------|---------------------------|
| Catalog # | Quantity | Description |
| 82-31-1000 | | Single Hose Reel |
| 82-31-2000 | | Double Hose Reel |
| 82-31-3000 | | Triple Hose Reel |
| 82-31-4000 | | Quadruple Hose Reel |
| 82-31-5000 | | Single Electrical Reel |
| 82-31-5100 | | Double Electrical Reel |
| 82-31-5200 | | Triple Electrical Reel |
| 82-31-5300 | | Quadruple Electrical Reel |
| 82-31-5400 | | 1 Gas x 1 Electrical |
| 82-31-5500 | | 1 Gas x 2 Electrical |
| 82-31-5600 | | 1 Gas x 3 Electrical |
| 82-31-5700 | | 2 Gas x 1 Electrical |
| 82-31-5800 | | 2 Gas x 2 Electrical |
| 82-31-5900 | | 3 Gas x 1 Electrical |
| 2) Select the quantity and type of gas/electric reel assemblies: | | |
| Catalog # | Quantity | Description |
| 82-32-1000 | | Oxygen Reel |
| 82-32-2000 | | Vacuum Reel |
| 82-32-3000 | | Nitrous Oxide Reel |
| 82-32-4000 | | Medical Air Reel |
| 82-32-5000 | | Carbon Dioxide Reel |
| 82-32-6000 | | Nitrogen Reel |
| 82-32-7000 | | WAGD Reel |
| 82-32-8000 | | Electrical Reel |

Continued next page

Ordering Information

| 3) Select the correct couplers and/or electrical devices: | | |
|--|----------|---|
| Catalog # | Quantity | Description |
| 82-33-1000 | | Chemetron Quick Connect, Oxygen |
| 82-33-1001 | | Chemetron Quick Connect, Vacuum |
| 82-33-1002 | | Chemetron Quick Connect, Nitrous Oxide |
| 82-33-1003 | | Chemetron Quick Connect, Medical Air |
| 82-33-1004 | | Chemetron Quick Connect, Carbon Dioxide |
| 82-33-1005 | | Chemetron Quick Connect, WAGD |
| 82-33-2000 | | Oxequip Med*Star, Oxygen |
| 82-33-2001 | | Oxequip Med*Star, Medical Air |
| 82-33-2002 | | Oxequip Med*Star, Vacuum |
| 82-33-2003 | | Oxequip Med*Star, Nitrous Oxide |
| 82-33-2004 | | Oxequip Med*Star, WAGD |
| 82-33-2005 | | Oxequip Med*Star, Carbon Dioxide |
| 82-33-3000 | | Ohio Style, Oxygen |
| 82-33-3001 | | Ohio Style, Medical Air |
| 82-33-3002 | | Ohio Style, Vacuum |
| 82-33-3003 | | Ohio Style, Nitrous Oxide |
| 82-33-3004 | | Ohio Style, WAGD |
| 82-33-3005 | | Ohio Style, Carbon Dioxide |
| 82-33-4000 | | Nitrogen, Dynacon |
| 82-33-4001 | | Nitrogen, Schrader |
| 82-33-5000 | | 23001-HG Electrical Connector |
| 82-33-5001 | | 20A Duplex Receptacle with Box |

All specifications are nominal and subject to change without notice.

Warranty:
See Allied Statement of Warranties for details

© 2005 Allied Healthcare Products, Inc. Printed in U.S.A.

Customer Service:

USA: (800) 444-3960

FAX: (314) 771-7537

Canada/ Mexico: (800) 446-0552

FAX: (800) 246-6201

International: (314) 268-1683

FAX: (314) 771-5183



1720 Sublette Avenue
St. Louis, MO 63110 USA

(314)771-2400

www.alliedhpi.com

ISO 9001 CERTIFIED

Product Specification