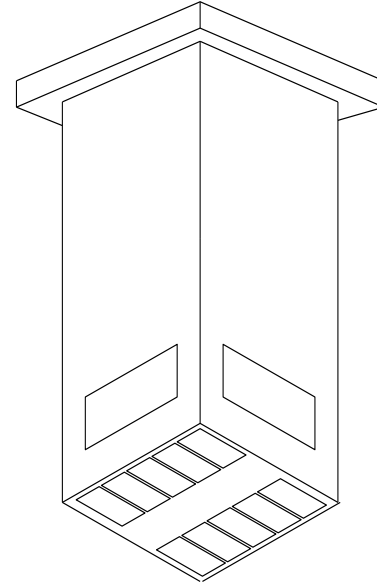


Ceiling-Mounted Service Column - Stationary

Elements

- Eliminates hoses and wires that clutter the floor
- Provides ready access to medical gas and electrical services near the point of use
- Provides remote receptacles for EEG/EKG, 115 volt electrical service, and ground jack receptacles in addition to the medical gases, including high pressure nitrogen
- Ideal for recovery rooms
- Strong 18 gauge stainless steel shell
- Four IV hooks are standard equipment
- Standard length 36"
- UL listed



Description

Where indicated on the drawings, provide stainless steel Stationary Ceiling-Mounted Service Columns for the operating, delivery, cysto, recovery and ICU-CCU rooms. Coordinate with other trades to avoid conflict with other ceiling services.

Stationary ceiling columns shall be constructed of 18-gauge stainless steel with No. 4 finish. All welds are to be ground smooth for seamless appearance. The mechanical contractor shall provide medical gas piping to DISS fittings furnished in the structural mounting plate for the ceiling columns. Access panel shall be furnished in each ceiling column to facilitate installation and servicing of internal fixtures.

Ceiling columns in operating rooms shall terminate 6' 6" above the finished floor. Installer to verify ceiling height for correct column height. A stainless steel collar shall be provided to trim out the column against the finished ceiling.

Factory installed medical gas outlets shall be pre-piped within the column, and extended 6" beyond the column mounting plate. Final connection to the medical gas distribution system shall be made by the installer.

Medical gas outlets shall be factory installed and tested for function. Ceiling columns for the OR and ICU/CCU can be equipped with the following services:

- Medical gas outlets (bottom mounted)
 - Quick-Connect
 - DISS (Diameter Index Safety System)
- Electrical services (bottom and side mounted)
 - Hubbell 23000 HG, 115V AC receptacles
 - Hubbell 8200, 15/20 amp receptacles
 - Hubbell 8300, GFCI 15/20 amp receptacles
 - 5-terminal receptacles, Amphenol #MS-3100A-14S-5S, for EEG/EKG
 - Hampden SLR-3S ground jack receptacles
 - RJ data jack/telephone jack

Note: Internal wiring of electrical devices shall be the responsibility of the electrical contractor.

Note: Per NFPA revision 2012, any stationary ceiling column installed in a designated wet location must be equipped with one GFCI receptacle per electrical circuit.

Four IV hooks shall be supplied with each ceiling column.

Ordering Information - Stationary Service Column

Chemetron Stationary Ceiling-Mounted Columns are manufactured to customer specifications. The following steps must be completed prior to the manufacture of the ceiling column.

Step 1

General information to remember when selecting the devices in a ceiling column:

- Use of EEG/EKG remote monitoring with electric power receptacles is not recommended in columns without properly shielded monitor cable. Consult monitor manufacturer.
- Columns are not recommended for ceiling heights below 9'6".
- Specify color for electrical outlets.
- Monitor receptacles should be wired under monitor manufacturer's recommendations for proper shielding.
- Adjacent electrical receptacles will be provided in double, triple or quadruple configurations with common back box and cover. Adjacent ground receptacles or other adjacent electrical receptacles of the same type will be furnished with common back box and cover plate for installation convenience.
- Wiring to factory installed electrical receptacles shall be provided by others.

Step 2

Indicate the ceiling height of the room in which the ceiling column will be located.

Quantity _____

Ceiling Height _____

Column Length _____

Step 3

Select the style of medical gas outlet installed in the ceiling column. If nitrogen is used in the column indicate the style of outlet to be installed.

_____ Chemetron® Quick-Connect
_____ connect2® Quick-Connect
_____ Puritan Bennett style quick-connect

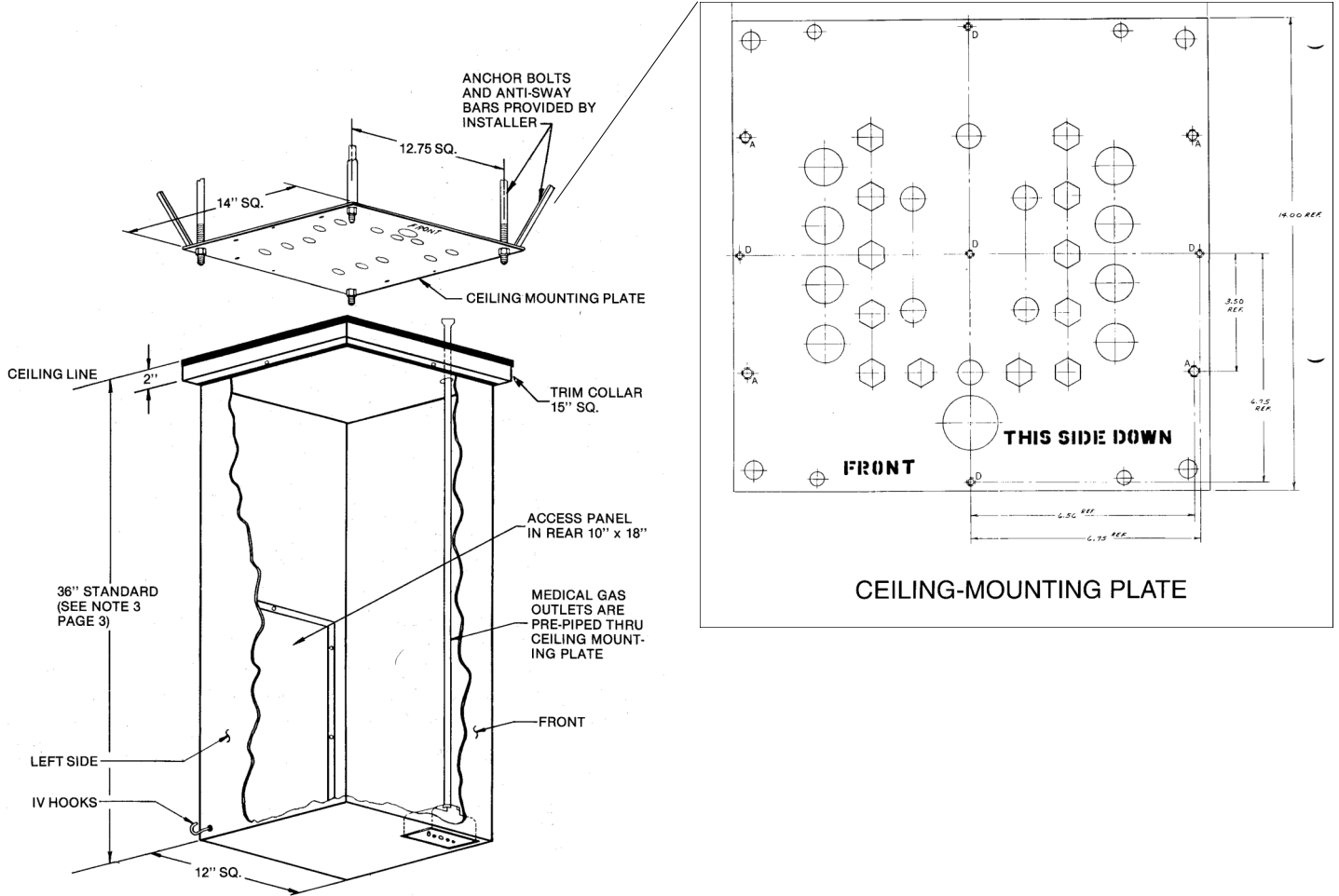
_____ Oxequip® Quick-Connect
_____ DISS

_____ Nitrogen
_____ DISS
_____ Dyna-Con
_____ Schrader

Step 4

The drawing on the next page shows the bottom view of the stainless steel column. Symbols on the drawing indicate where various accessories may be located. Select the accessories desired and the location on the column from the table shown on the next page.

Installation Information



All specifications are nominal and subject to change without notice.

Warranty:
See Allied Statement of Warranties for details.

© 2012 Allied Healthcare Products, Inc.® Printed in USA

Customer Service:

USA: (800) 444-3960
 FAX: (314) 771-7537
 Canada/Mexico: (800) 446-0552
 FAX: (800) 246-6201
 International: (314) 268-1683
 FAX: (314) 771-5183



Allied
HEALTHCARE PRODUCTS INC.

1720 Sublette Avenue
 St. Louis, MO 63110 USA
 (314) 771-2400
 www.alliedhpi.com
ISO 9001: 2008